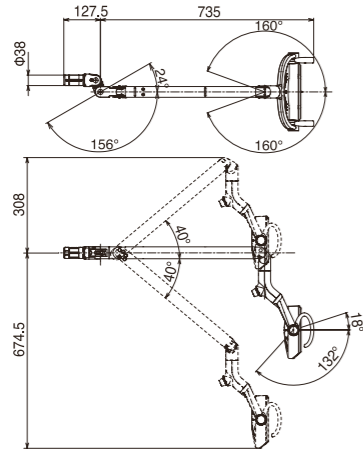


Specifications

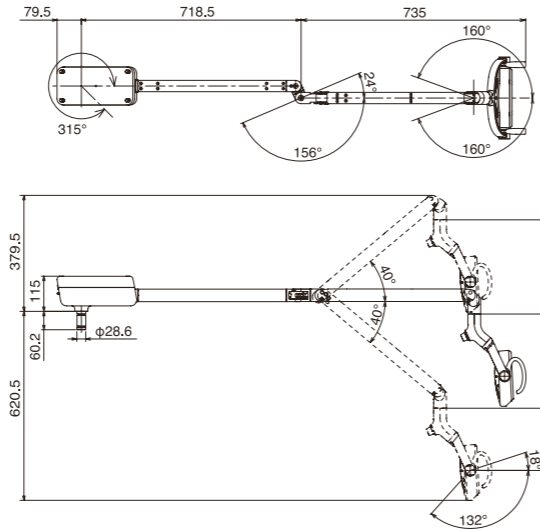
Light Source	Focal Distance	Intensity	Composite Mode	Color Temperature	Color Rendering Index	Light Pattern	Operation	Power Input
Five LEDs	650 mm	3,100 - 28,000 lx Stepless adjustment	4,300 lx	5,000 K at any intensity	85	85 mm x 155 mm	Touchless sensor	AC 100 - 240 V, 50 Hz / 60 Hz

Dimensions

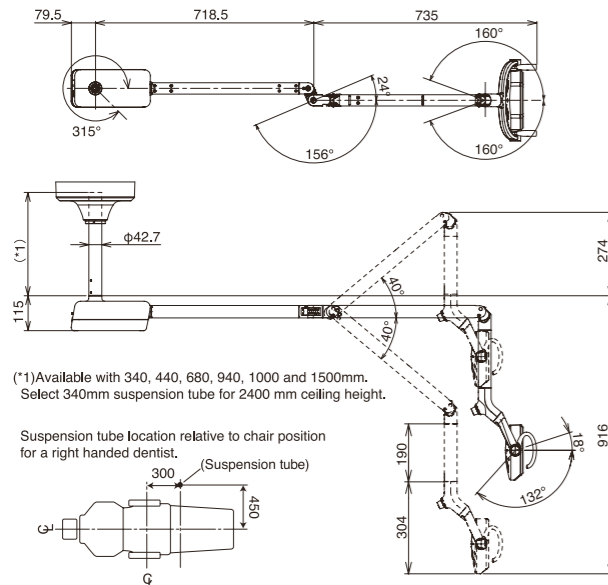
Type 320 Unit Mount



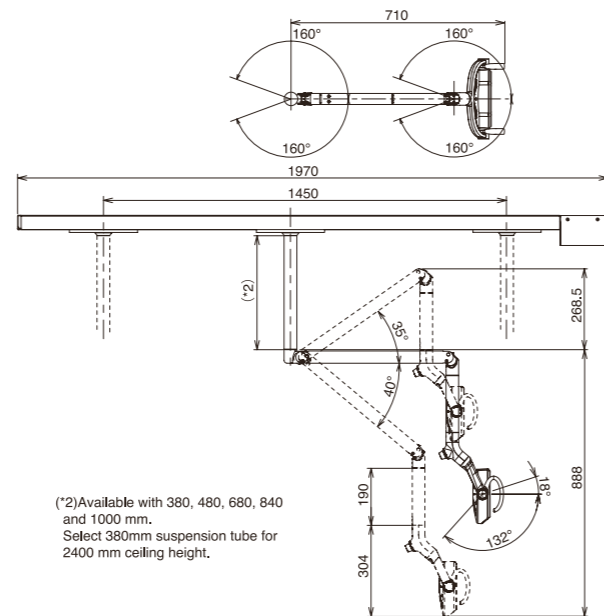
Type 301 Post Mount



Type 302 Ceiling Mount



Type 305 Track Mount



Unit : mm

The manufacturer reserves the right to alter or improve specifications without notice.

Belmont
TAKARA BELMONT CORPORATION
 2-1-1, Higashishinsaibashi, Chuo-ku, Osaka, 542-0083, Japan
 TEL: +81 (0)6 6213 5945
 FAX: +81 (0)6 6212 3680
<http://www.takara-net.com>

MED+DENT
 MEDICAL AND DENTAL

MED AND DENT WA
 13/31 Stockdale Road
 O'Connor Western Australia 6163
Ph: +61 8 9337 4226
Web: medanddent.com.au

BOOK NO. D-009

300 LED

DENTAL LIGHT



DENTAL LIGHT

Belmont

Easy On The Eyes Easy Operation



Features

Correct Color

Belmont 300 LED operatory lights deliver cool, white light to the patient oral cavity, for correct tooth shade matching and for the differentiation of soft tissue structure.

Shadowless Illumination

The unique five-LED array produces a well-defined 85 mm x 155 mm rectangular light pattern. This pattern of illumination remains unaffected—even with the half of the light head output obstructed.

Touchless Activation

Light operation is activated by a touchless sensor, so it is unnecessary to look away from patients. ON/OFF and Composite Safe Mode activation are done without operators ever contacting the light.

Long Life

With LED bulb life expectancy in excess of 20,000 hours, it is likely that replacement will never be needed.

Economical Operation and Patient Comfort

Low power consumption translates into long term operational cost savings and since no heat is generated, patients will feel more comfortable.

Installation Variation



Type 320 Unit Mount



Type 301 Post Mount



Type 302 Ceiling Mount



Type 305 Track Mount



Easy on the Eyes - For Dentists and Patients Alike

Belmont 300 LED operatory lights have been engineered to minimize operator eye fatigue and to prevent light from shining directly into the patient's eyes. The brightest light is directed into the oral cavity and becomes gradually less bright across the patient's cheek area.



Positioning Flexibility

The light head may be rotated around 3 axes, for maximum positioning flexibility. Operators can effortlessly direct illumination where it is needed using one hand.



The Exact Brightness You Need

Each operatory has different ambient light conditions. With this in mind, 300 LED lights include a stepless intensity control to adjust brightness to suit the actual operatory lighting conditions. LED output can be adjusted between 3,100 lx and 28,000 lx, while maintaining the 5,000 K color temperature that is ideal for tooth shade matching.