



Chair mounted Holder type



Chair mounted Continental type

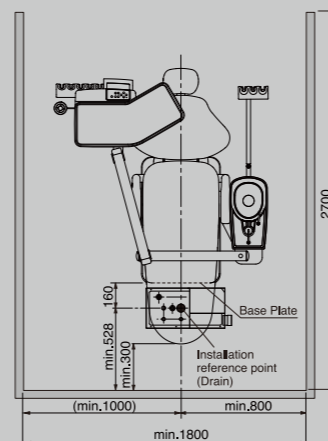


Pedodontic type



Cart Holder type

Installation position -mm-



The next generation of design and reliability

CLESTA eIII

Product of Japan



The manufactures reserve the right to alter and improve the specification without notice.



TAKARA BELMONT CORPORATION
OSAKA HEADQUARTERS: 2-1-1, HIGASHI-SHINSAIBASHI, CHUO-KU, OSAKA, JAPAN 542-0083
TEL.81-6-6213-5945 <http://www.takarabelmont.co.jp>



Belmont combines its dental industry knowledge with innovative technology.

Efficiency

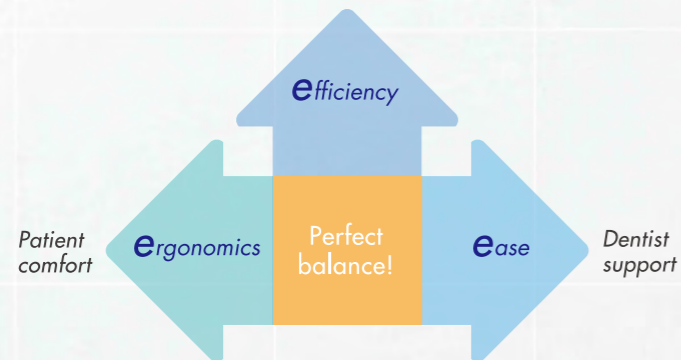
Through the perfect balance of an ergonomically designed chair and a unit offering smart user interfaces and operational ease, the Clesta eIII creates the ideal dentistry environment for both patient and dentist and ensures efficient and effective practices.

Designed to deliver unparalleled patient comfort in any position, the Clesta eIII chair features an axis backrest, an ultra-smooth tilting mechanism, and ergonomically shaped cushions.

Ergonomics

Inheriting the ease-enhancing tradition of Clesta dental systems, the Clesta eIII offers a smooth-moving operator's table and easy-access handpiece holders to minimize stress during use.

Ease



Clesta eIII offers dentists and patients alike the comfort of smooth dental treatment.



The combination of electric-hydraulic and air operated system ensures a high standard of reliability and safety.

Compact, lightweight, and easy-to-operate LED light facilitates dental treatment.

Touchless sensor on/off control
Intensity: 3,100 lux ~ 25,000 lux, 4,300 lux (composite mode)
Color temperature: 5,000 K
Color rendering index: Ra85
Light pattern: 85 mm x 155 mm at 650 mm
Head positioning: Rotation of head at three axes

Easy-to-clean porcelain cuspidor bowl is shaped to prevent rinsing water from spilling out.

Highly flexible long arm supports both 2-handed and 4-handed treatment.

Ergonomically designed chair cushion ensures patient comfort.

For optimum comfort, the reclining backrest was designed to prevent the patient from sliding.

Powerful hydraulic system enables a wide range of lift heights (from an initial seat height of 420 mm up to 800 mm).

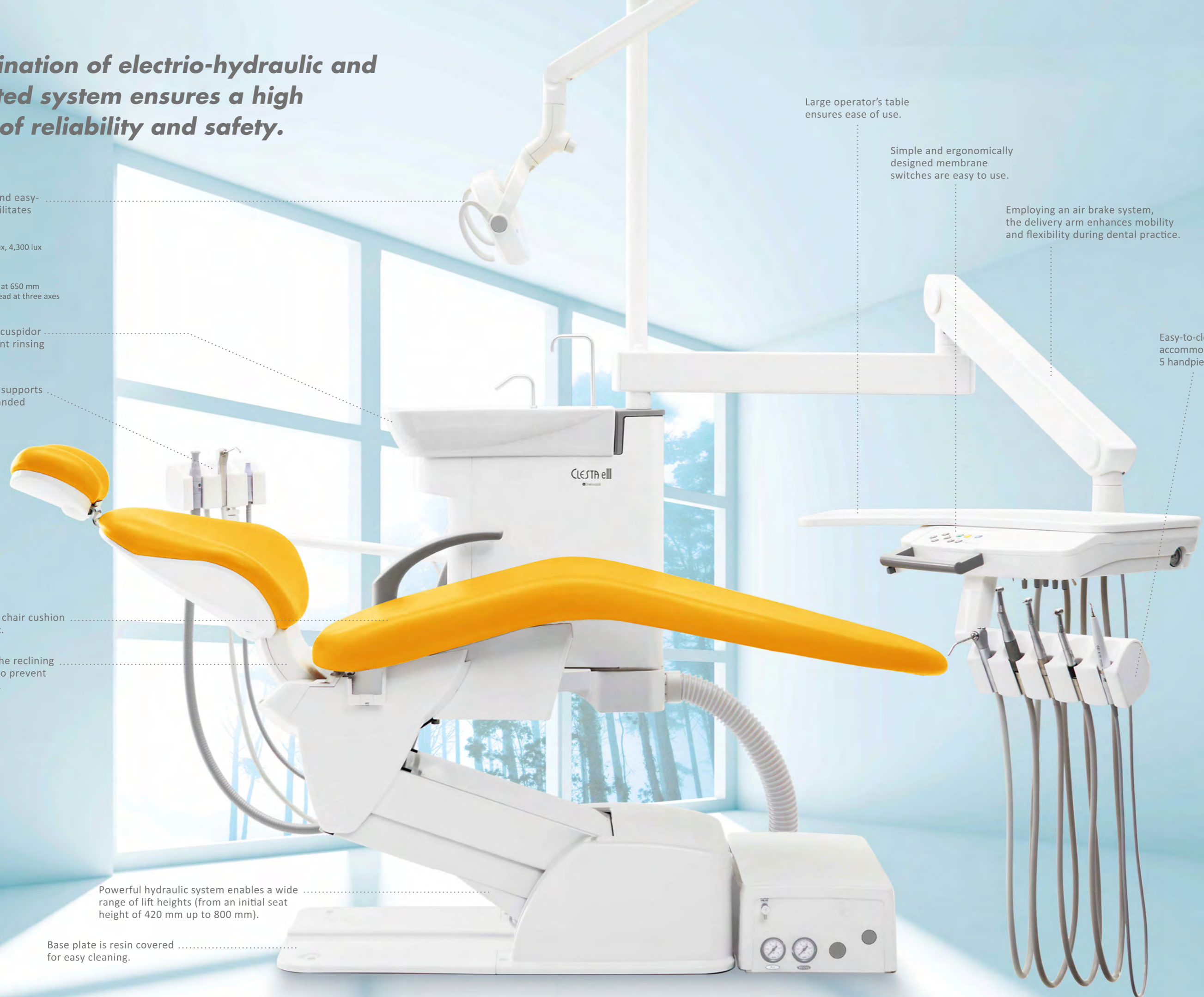
Base plate is resin covered for easy cleaning.

Large operator's table ensures ease of use.

Simple and ergonomically designed membrane switches are easy to use.

Employing an air brake system, the delivery arm enhances mobility and flexibility during dental practice.

Easy-to-clean holder accommodates 5 handpieces.



A variety of optional accessories provides greater flexibility of dental treatment.



Flushing system / Flushout tray
The flushing system enables easy cleaning of handpiece water lines. The flushout tray allows hands-free, programmed flushing out.



Water heater
For use with the cupfiller, the water heater helps protect temperature-sensitive teeth.



Service outlet / Quick connector
Air and water service outlets and quick connectors for external instruments bring added convenience.



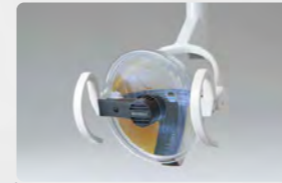
Double articulating headrest
Suitable for children and adults, the double articulating headrest adjusts easily for improved patient positioning.



Multifunction foot control
The foot control contains two switches to regulate chair movement: a manual control switch for up, down, forward, and backward movement and a programmed-position control switch for 0, 1, 2, and last positions.



Bracket for flat-screen monitor
This LCD (Liquid Crystal Display) bracket can be adjusted to suit individual needs (monitor not included).



io5000 light
Touchless sensor on/off control
Intensity: 28,000 lux (High), 22,000 lux (Medium) & 15,000 lux (Low)
Color temperature: 5,000 K
Light pattern: 72 mm x 194 mm at 700 mm



048 light
Dual-intensity on/off control
Intensity: 28,000 lux (High), 18,000 lux (Low)
Color temperature: 3,700 K
Light pattern: 80 mm x 200 mm at 725 mm



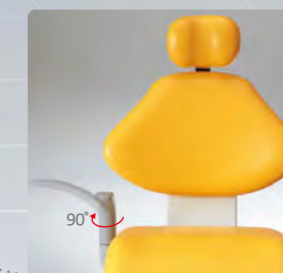
Bottled water system
The bottled water system offers a choice of 750-ml or 2-liter bottles and can be integrated into the unit to supply handpiece water.



Panorama-size film viewer
The panorama-size film viewer features an LED backlight.



Accessories
Operator table accessories-waste receptacle, cotton container and vials with a stand-support hygienic practices.



Right armrest
A swing-out armrest for the right side promotes patient comfort and relaxation.



Pedodontic chair
Cesta eIII PEDO has a smaller backrest, a narrower seat and a cuspidor positioned lower to accommodate young children. The double articulating headrest and the armrest on the right side are optional.



Upholstery Color Options

- MR1**
DARK BLUE
- CG18**
GRAY TEAL
- MR2**
PURPLE
- CG19**
BLUE
- CG23**
LIGHT GREEN
- ES16**
LIGHT BLUE
- CG22**
LIGHT PINK
- CG17**
SAFFRON
- ES18**
YELLOW GREEN
- CG15**
LIME GREEN
- CG2**
IVORY
- CG3**
LIGHT GRAY
- CG8**
BEIGE
- ES14**
CAMEL
- CG16**
MAUVE
- CG5**
BLACK
- ES12**
BORDEAUX
- ES11**
CHOCOLATE